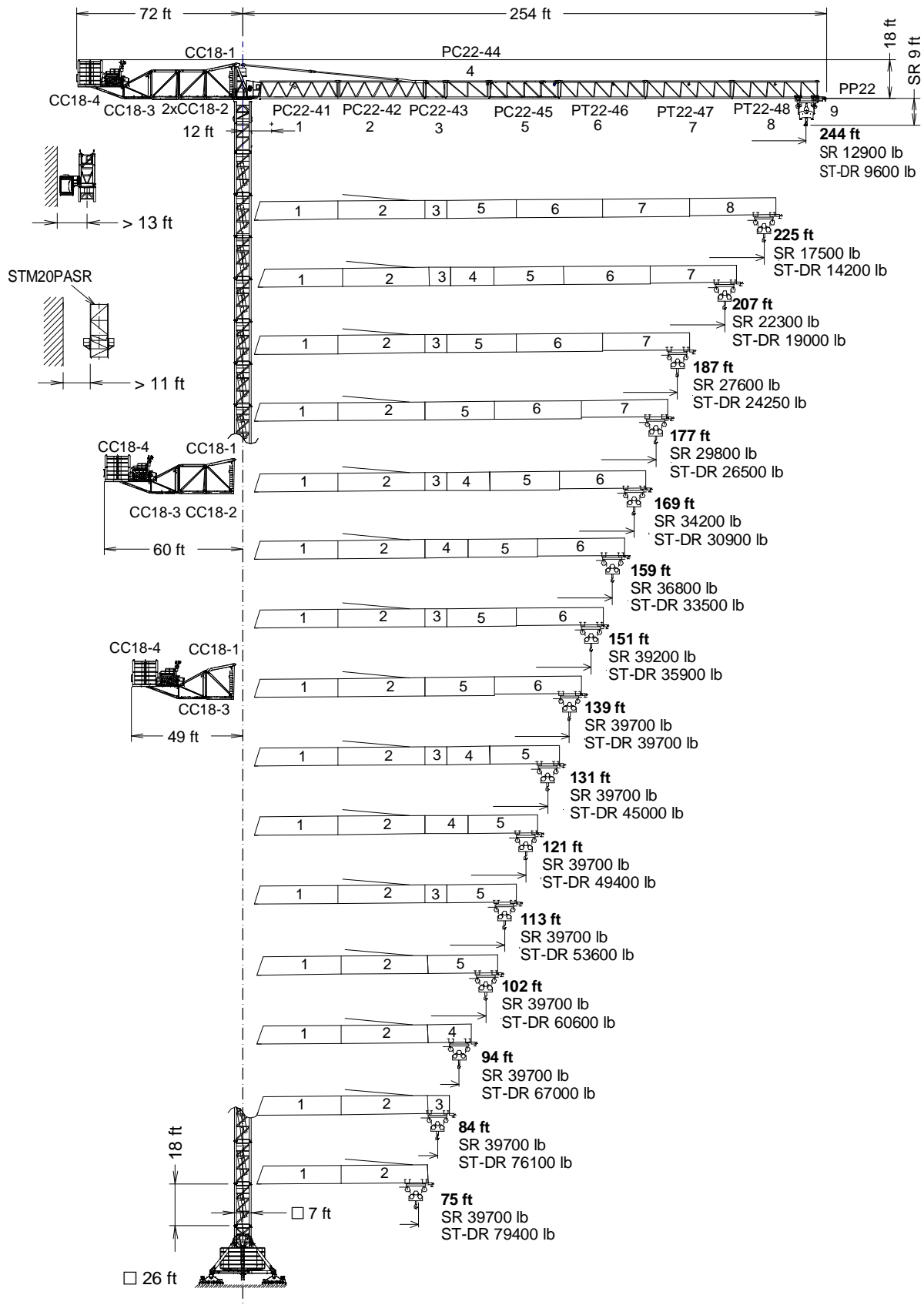




UNE 58-101
FEM 1001

UNE-EN-ISO 9001



Fecha / Date: 16/01/2023

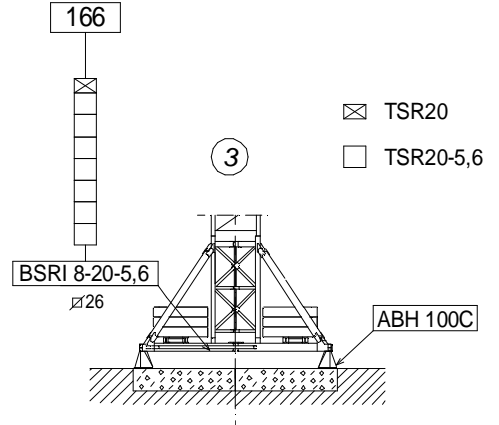
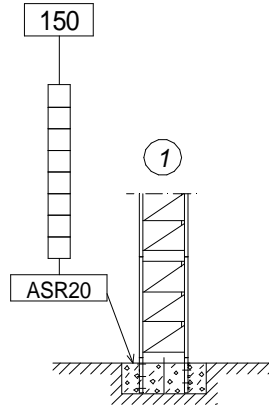
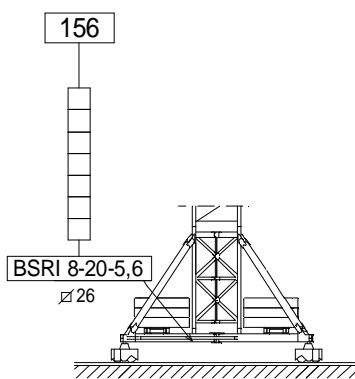


Reservado el derecho a modificaciones sin previo aviso. Declinamos toda responsabilidad derivada de la información proporcionada / Subject to modification, without prior notice. This information is supplied without liability

SR

(H_{SR}) TRASLACIÓN / TRAVELLING

(H_{SR}) ESTACIONARIA / STATIONARY

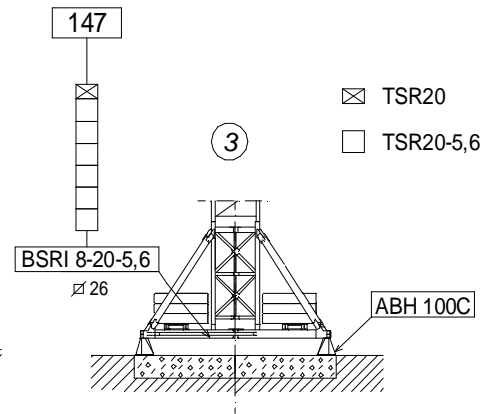
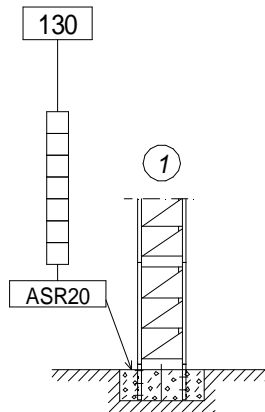
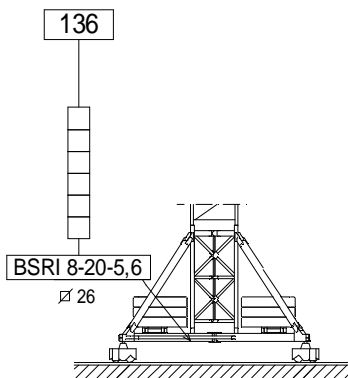


H_{SR} = Altura máxima bajo gancho sin arristrar (ft).
Maximum height under hook without fastening (ft).

ST-DR

(H_{ST-DR}) TRASLACIÓN / TRAVELLING

(H_{ST-DR}) ESTACIONARIA / STATIONARY


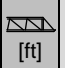




H_{ST-DR} = Altura máxima bajo gancho sin arristrar (ft).
Maximum height under hook without fastening (ft).

H_{ST-SR} = H_{ST-DR} - 0,3


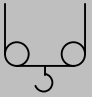
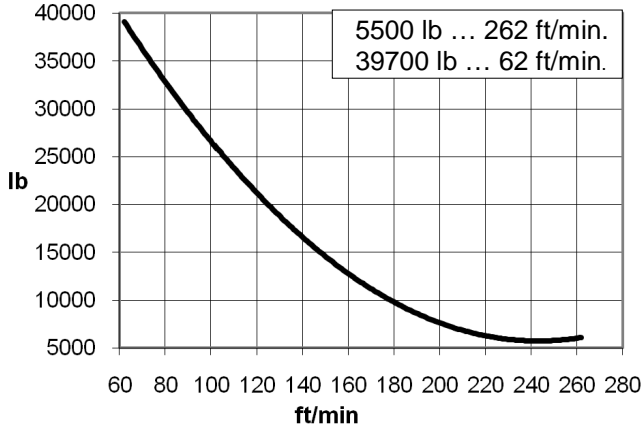
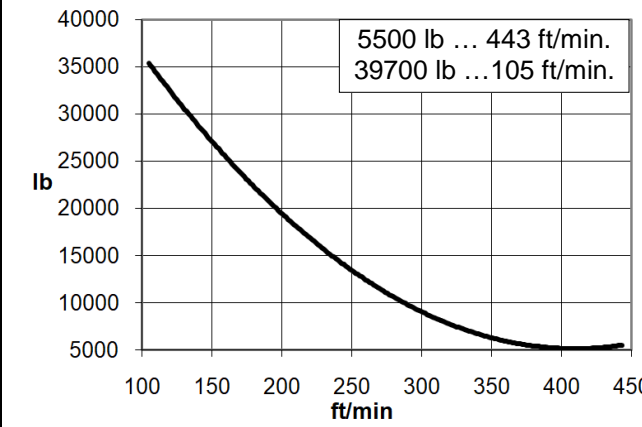
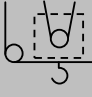
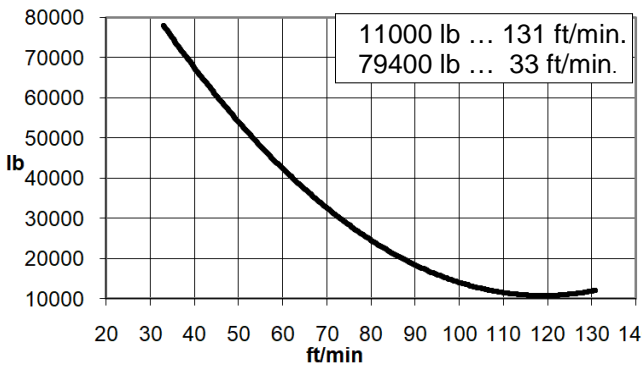
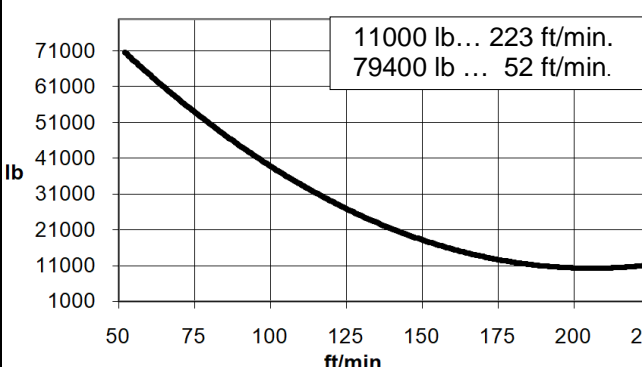
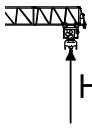
| SR [lb] | | Cargas máximas / Maximum loads SR – 39700 lb | | | | | | | | | | | | | | | | |
|---------|--------------------|---|-------|-------|-------|-------|-------|-------|-------|-------|-------|-------|-------|-------|-------|-------|-------|-------|
| [ft] | 39700 lb @ ...(ft) | Alcance del gancho [ft] / Hook reach [ft] | | | | | | | | | | | | | | | | |
| | | 66 | 75 | 84 | 94 | 102 | 113 | 121 | 131 | 139 | 151 | 159 | 169 | 177 | 187 | 207 | 225 | 244 |
| 244 | 95 | 39700 | 39700 | 39700 | 39700 | 37000 | 32800 | 30400 | 27800 | 25800 | 23600 | 22000 | 20500 | 19400 | 18100 | 16100 | 14300 | 12800 |
| 225 | 112 | 39700 | 39700 | 39700 | 39700 | 39700 | 39000 | 36200 | 33100 | 30900 | 28200 | 26500 | 24700 | 23400 | 21800 | 19400 | 17400 | — |
| 207 | 125 | 39700 | 39700 | 39700 | 39700 | 39700 | 39700 | 39700 | 39700 | 37500 | 35100 | 32200 | 30200 | 28200 | 26700 | 25100 | 22300 | — |
| 187 | 135 | 39700 | 39700 | 39700 | 39700 | 39700 | 39700 | 39700 | 39700 | 39700 | 38400 | 35300 | 33100 | 30900 | 29300 | 27600 | — | — |
| 177 | 137 | 39700 | 39700 | 39700 | 39700 | 39700 | 39700 | 39700 | 39700 | 39700 | 39000 | 35700 | 33700 | 31300 | 29800 | — | — | — |
| 169 | 148 | 39700 | 39700 | 39700 | 39700 | 39700 | 39700 | 39700 | 39700 | 39700 | 38800 | 36600 | 34200 | — | — | — | — | — |
| 159 | 149 | 39700 | 39700 | 39700 | 39700 | 39700 | 39700 | 39700 | 39700 | 39700 | 39000 | 36800 | — | — | — | — | — | — |
| 151 | 149 | 39700 | 39700 | 39700 | 39700 | 39700 | 39700 | 39700 | 39700 | 39700 | 39200 | — | — | — | — | — | — | — |
| 139 | 139 | 39700 | 39700 | 39700 | 39700 | 39700 | 39700 | 39700 | 39700 | 39700 | — | — | — | — | — | — | — | — |
| 131 | 131 | 39700 | 39700 | 39700 | 39700 | 39700 | 39700 | 39700 | 39700 | — | — | — | — | — | — | — | — | — |
| 121 | 121 | 39700 | 39700 | 39700 | 39700 | 39700 | 39700 | 39700 | — | — | — | — | — | — | — | — | — | — |
| 113 | 113 | 17600 | 39700 | 39700 | 39700 | 39700 | 39700 | — | — | — | — | — | — | — | — | — | — | — |
| 102 | 102 | 39700 | 39700 | 39700 | 39700 | 39700 | — | — | — | — | — | — | — | — | — | — | — | — |
| 94 | 94 | 39700 | 39700 | 39700 | 39700 | — | — | — | — | — | — | — | — | — | — | — | — | — |
| 84 | 84 | 39700 | 39700 | 39700 | — | — | — | — | — | — | — | — | — | — | — | — | — | — |
| 75 | 75 | 39700 | 39700 | — | — | — | — | — | — | — | — | — | — | — | — | — | — | — |






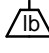
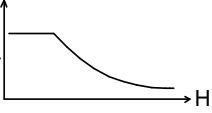



|  ST - SR [lb] | | Cargas máximas / <i>Maximum loads</i> | | | | | | | | | | | | | | | | |
|--|------------------|--|-------|-------|-------|-------|-------|-------|-------|-------|-------|-------|-------|-------|-------|-------|-------|-------|
| | | ST-SR – 39700 lb | | | | | | | | | | | | | | | | |
|  39700 lb [ft] | @ ...(ft) | Alcance del gancho [ft] / <i>Hook reach [ft]</i> | | | | | | | | | | | | | | | | |
| | | 66 | 75 | 84 | 94 | 102 | 113 | 121 | 131 | 139 | 151 | 159 | 169 | 177 | 187 | 207 | 225 | 244 |
| 244 | 93 | 39700 | 39700 | 39700 | 39200 | 35500 | 31300 | 28700 | 26000 | 24300 | 21800 | 20500 | 19000 | 17600 | 16500 | 14300 | 12600 | 11000 |
| 225 | 108 | 39700 | 39700 | 39700 | 39700 | 39700 | 37500 | 34400 | 31500 | 29300 | 26500 | 24900 | 22900 | 21600 | 20300 | 17600 | 15700 | — |
| 207 | 120 | 39700 | 39700 | 39700 | 39700 | 39700 | 39700 | 39200 | 35900 | 33500 | 30400 | 28400 | 26500 | 24900 | 23400 | 20500 | — | — |
| 187 | 131 | 39700 | 39700 | 39700 | 39700 | 39700 | 39700 | 39700 | 39500 | 36800 | 33500 | 31300 | 29300 | 27600 | 25800 | — | — | — |
| 177 | 132 | 39700 | 39700 | 39700 | 17600 | 39700 | 39700 | 39700 | 39700 | 37300 | 34000 | 32000 | 29800 | 28000 | — | — | — | — |
| 169 | 142 | 39700 | 39700 | 39700 | 39700 | 39700 | 39700 | 39700 | 39700 | 39700 | 37000 | 34800 | 32400 | — | — | — | — | — |
| 159 | 143 | 39700 | 39700 | 39700 | 39700 | 39700 | 39700 | 39700 | 39700 | 39700 | 37300 | 35100 | — | — | — | — | — | — |
| 151 | 144 | 39700 | 39700 | 39700 | 39700 | 39700 | 39700 | 39700 | 39700 | 39700 | 37500 | — | — | — | — | — | — | — |
| 139 | 139 | 39700 | 39700 | 39700 | 39700 | 39700 | 39700 | 39700 | 39700 | 39700 | — | — | — | — | — | — | — | — |
| 131 | 131 | 39700 | 39700 | 39700 | 39700 | 39700 | 39700 | 39700 | 39700 | — | — | — | — | — | — | — | — | — |
| 121 | 121 | 39700 | 39700 | 39700 | 39700 | 39700 | 39700 | 39700 | — | — | — | — | — | — | — | — | — | — |
| 113 | 113 | 17600 | 39700 | 39700 | 39700 | 39700 | 39700 | — | — | — | — | — | — | — | — | — | — | — |
| 102 | 102 | 39700 | 39700 | 39700 | 39700 | 39700 | — | — | — | — | — | — | — | — | — | — | — | — |
| 94 | 94 | 39700 | 39700 | 39700 | 39700 | — | — | — | — | — | — | — | — | — | — | — | — | — |
| 84 | 84 | 39700 | 39700 | 39700 | — | — | — | — | — | — | — | — | — | — | — | — | — | — |
| 75 | 75 | 39700 | 39700 | — | — | — | — | — | — | — | — | — | — | — | — | — | — | — |

|  ST - DR [lb] | | Cargas máximas / <i>Maximum loads</i> | | | | | | | | | | | | | | | | | |
|--|------------------|--|-------|-------|-------|-------|-------|-------|-------|-------|-------|-------|-------|-------|-------|-------|-------|-------|------|
| | | ST-DR – 79400 lb | | | | | | | | | | | | | | | | | |
|  79400 lb [ft] | @ ...(ft) | Alcance del gancho [ft] / <i>Hook reach [ft]</i> | | | | | | | | | | | | | | | | | |
| | | 49 | 66 | 75 | 84 | 94 | 102 | 113 | 121 | 131 | 139 | 151 | 159 | 169 | 177 | 187 | 207 | 225 | 244 |
| 244 | 49 | 78000 | 56700 | 48300 | 42800 | 37500 | 33700 | 29500 | 27100 | 24500 | 22500 | 20300 | 18700 | 17200 | 16100 | 15000 | 12800 | 11000 | 9500 |
| 225 | 56 | 79400 | 67200 | 57500 | 51100 | 45000 | 40800 | 35700 | 32800 | 29800 | 27600 | 24900 | 23100 | 21400 | 20100 | 18700 | 16100 | 14100 | — |
| 207 | 63 | 79400 | 77200 | 65300 | 58200 | 51100 | 46500 | 41000 | 37700 | 34200 | 31700 | 28900 | 26900 | 24900 | 23400 | 21800 | 19000 | — | — |
| 187 | 69 | 79400 | 79400 | 71400 | 63700 | 56200 | 50900 | 45000 | 41400 | 37900 | 35100 | 32000 | 29800 | 27600 | 26000 | 24300 | — | — | — |
| 177 | 70 | 79400 | 79400 | 72500 | 64600 | 56900 | 51800 | 45600 | 42100 | 38400 | 35700 | 32400 | 30400 | 28200 | 26500 | — | — | — | — |
| 169 | 75 | 79400 | 79400 | 78500 | 70100 | 61900 | 56400 | 49800 | 45900 | 41900 | 39000 | 35500 | 33300 | 30900 | — | — | — | — | — |
| 159 | 75 | 79400 | 79400 | 79100 | 70500 | 62400 | 56700 | 50300 | 46300 | 42300 | 39200 | 35700 | 33500 | — | — | — | — | — | — |
| 151 | 75 | 79400 | 79400 | 79400 | 71000 | 62600 | 57100 | 50500 | 46500 | 42500 | 39500 | 35900 | — | — | — | — | — | — | — |
| 139 | 76 | 79400 | 79400 | 79400 | 71200 | 62800 | 57300 | 50700 | 46700 | 42500 | 39700 | — | — | — | — | — | — | — | — |
| 131 | 79 | 79400 | 79400 | 79400 | 75000 | 66100 | 60200 | 53400 | 49200 | 45000 | — | — | — | — | — | — | — | — | — |
| 121 | 80 | 79400 | 79400 | 79400 | 75200 | 66400 | 60400 | 53600 | 49400 | — | — | — | — | — | — | — | — | — | — |
| 113 | 80 | 79400 | 79400 | 79400 | 75200 | 66400 | 60400 | 53600 | — | — | — | — | — | — | — | — | — | — | — |
| 102 | 80 | 79400 | 79400 | 79400 | 75400 | 66600 | 60600 | — | — | — | — | — | — | — | — | — | — | — | — |
| 94 | 80 | 79400 | 79400 | 79400 | 75800 | 67000 | — | — | — | — | — | — | — | — | — | — | — | — | — |
| 84 | 80 | 79400 | 79400 | 79400 | 76100 | — | — | — | — | — | — | — | — | — | — | — | — | — | — |
| 75 | 75 | 79400 | 79400 | 79400 | — | — | — | — | — | — | — | — | — | — | — | — | — | — | — |

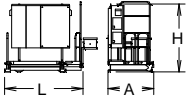
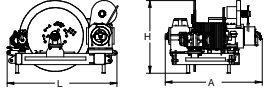
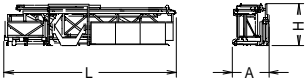
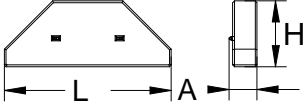



| | | | | | | | | | | |
|--|--|---|--------|----|--------|---|----|---------|----|--------|
| *opcional *optional |  | | | | | | | | | |
| | EC8880VF 65 kW | *EC150135VF 110 kW | | | | | | | | |
|  |  |  | | | | | | | | |
|  |  |  | | | | | | | | |
|  | <p style="text-align: center;">$H \leq$</p> <table style="margin-left: auto; margin-right: auto;"> <tr> <td>SR</td> <td>984 ft</td> </tr> <tr> <td>DR</td> <td>492 ft</td> </tr> </table> | SR | 984 ft | DR | 492 ft | <p style="text-align: center;">$H \leq$</p> <table style="margin-left: auto; margin-right: auto;"> <tr> <td>SR</td> <td>1312 ft</td> </tr> <tr> <td>DR</td> <td>656 ft</td> </tr> </table> | SR | 1312 ft | DR | 656 ft |
| SR | 984 ft | | | | | | | | | |
| DR | 492 ft | | | | | | | | | |
| SR | 1312 ft | | | | | | | | | |
| DR | 656 ft | | | | | | | | | |

| | | | |
|---|---|---|---|
|  |  |  |  480V 60Hz |
| OG4006VF 4 x 7,5 kW | TC2060VF 15 kW | TH4010 29,4 kW | EC8880VF: AMPERAGE = 246 A EC150135VF: AMPERAGE = 279 A |
| 0...0,7 r/min s/min | <u>39700 lb</u> 0...197 ft/min <u>79400 lb</u> 0...98 ft/min | 2 ft/min |    |
| | | |  ecoMode |




| DENOMINACIÓN / DENOMINATION | | L [ft] | A [ft] | H [ft] | P / W [lb] |
|---|--------------|--------|--------|--------|------------|
| Torre <i>Tower</i> | TSR20 | 14.0 | 7.4 | 7.4 | 6900 |
| | TSR20-5,6 | 19.7 | 7.4 | 7.4 | 9400 |
| | TSR120-5,6 | 19.7 | 7.4 | 7.4 | 15100 |
| Torre asiento pista + base punta de torre + orientación <i>Slewing table + tower head base + slewing mechanism</i> | | 15.0 | 7.7 | 8.5 | 28200 |
| Punta de torre / <i>Tower head</i> | | 14.3 | 7.3 | 7.7 | 8600 |
| Conjunto asiento pista, punta de torre y orientación <i>Slewing table assembly, tower head and slewing</i> | | 26.6 | 10.8 | 9.5 | 36800 |
| Tramo de pluma <i>Jib section</i> | PC22-41 | 38.5 | 7.5 | 8.6 | 13000 |
| | PC22-42 + Tr | 38.9 | 6.8 | 8.2 | 17600 |
| | PC22-43 | 10.4 | 6.8 | 8.1 | 4000 |
| | PC22-44 | 19.7 | 6.8 | 8.1 | 6800 |
| | PC22-45 | 31.4 | 6.8 | 8.1 | 10500 |
| | PT22-46 | 38.3 | 6.8 | 8.1 | 7900 |
| | PT22-47 | 38.5 | 6.8 | 8.0 | 5200 |
| | PT22-48 | 37.9 | 6.8 | 8.0 | 4000 |
| | PP22 | 4.1 | 7.6 | 2.1 | 1300 |
| Contrapluma <i>Counterjib</i> | CC18-1 | 24.6 | 7.1 | 3.7 | 10400 |
| Contrapluma <i>Counterjib</i> | CC18-2 | 22.2 | 7.1 | 4.2 | 8800 |
| Contrapluma <i>Counterjib</i> | CC18-3 | 17.9 | 6.9 | 2.2 | 5100 |
| Contrapluma <i>Counterjib</i> | CC18-4 | 21.6 | 7.2 | 7.4 | 10700 |
| Contrapluma + Mec. Elevación <i>Counterjib + Hoisting Mech.</i> | CC18-4 + EC | 22.8 | 7.6 | 8.0 | 25700 |
| Polipasto <i>Hook assembly</i> | SR | 5.7 | 5.3 | 1.2 | 1800 |
| | ST-DR | 7.0 | 2.9 | 10.3 | 4000 |
| Carro <i>Trolley</i> | SR | 9.3 | 7.6 | 9.0 | 2600 |
| | ST-DR | 11.0 | 7.8 | 9.5 | 3700 |
| Plataforma y cabina <i>Platform and cabin</i> | | 12.7 | 7.3 | 8.2 | 2600 |

| | | | | | |
|---|--|------|-----|-----|-------|
| Armario eléctrico y plataforma <i>Electrical cabinet and platform</i> |  | 9.0 | 5.3 | 8.1 | 2200 |
| Soporte y elevación (sin cable) <i>Support and hoisting (without rope)</i> |  | 8.3 | 7.3 | 5.5 | 15000 |
| Transporte torre de montaje <i>Jacking cage transport</i> | TM20PASR-5,6  | 35.5 | 7.5 | 7.9 | 26800 |
| Contrapeso <i>Counterweight</i> | Lastre <i>Ballast</i>  | 12.5 | 1.9 | 4.9 | 13200 |
| | | 12.5 | 0.9 | 4.9 | 6600 |
| | | 12.5 | 0.6 | 4.9 | 4400 |

 Viento fuera de servicio / *Out of service wind*

 Consultar / *Consult*

 En servicio / *In service*

 Fuera de servicio / *Out of service*



Ctra./Rd. Madrid - Irún Km. 415 - 20.213 IDIAZABAL [Gipuzkoa] ESPAÑA / SPAIN
 P.O. Box, 23 - 20.200 BEASAIN - E-mail: jaso@jaso.com
 Tel. +34 943 - 18 70 00 • Fax. +34 943 - 18 70 20
www.jaso.com

Fecha / Date: 16/01/2023

 **FEM 1001**

DELEGACION / DEALER